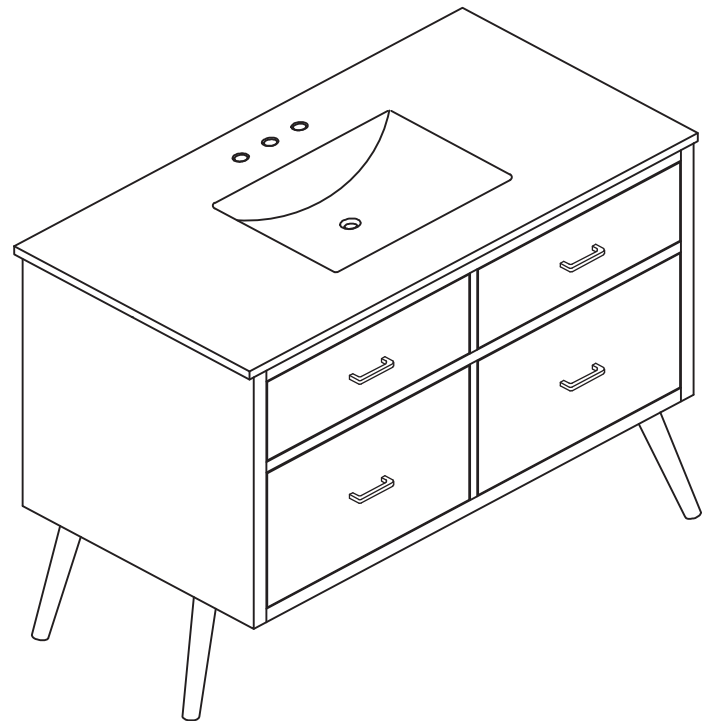


ASSEMBLY INSTRUCTIONS

VF41042WH / VF41042WB / VF41042MBL

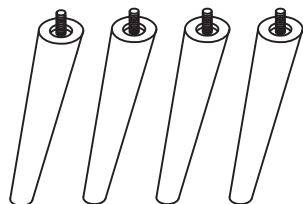
VF41042MGN

for free standing application

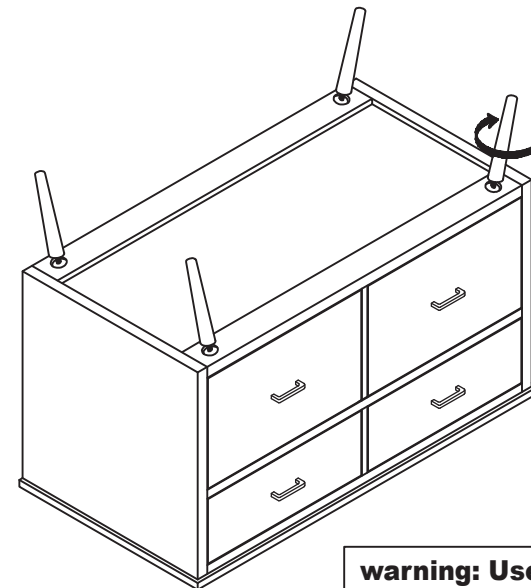


Parts list

LEG x4



Step 1



warning: Use two people to lift the vanity. Upon turning over the vanity upright, do not allow pressure to apply to one single leg or one single side.

Finished

Wall

